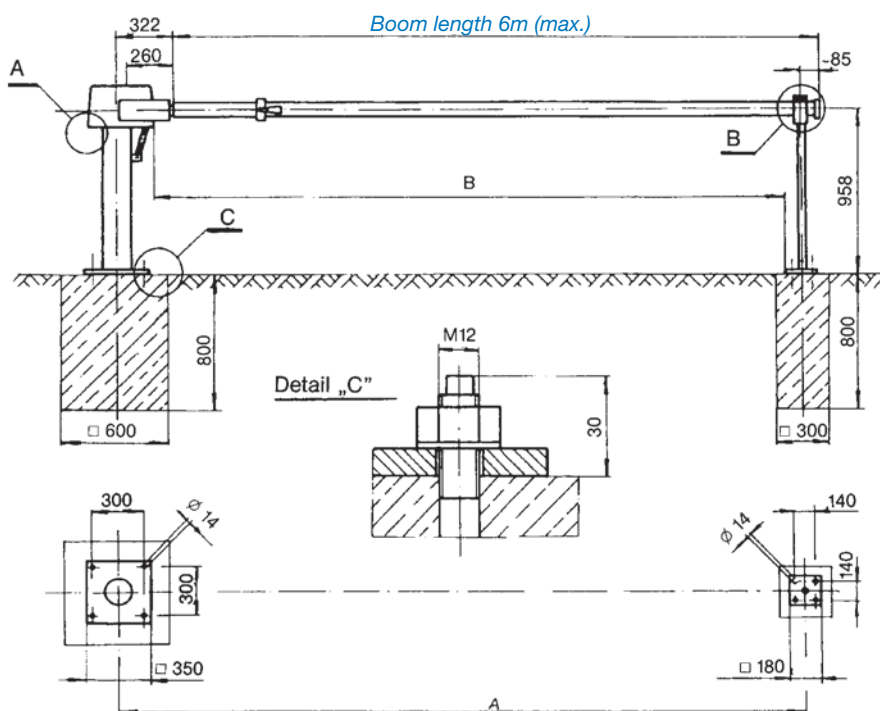


Barrier systems

Manual barrier HS60 up to 6m with gas pressure springs - without counter weight



Performance features

- extremely easy operation
- without counter weight
- lockable in horizontal and vertical position by means of pad-lock (not-included)
- white aluminium boom up to 6 metres
- easy to install

